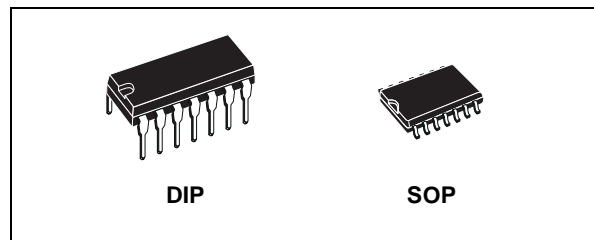


## LOW POWER MONOSTABLE/ASTABLE MULTIVIBRATOR

- LOW POWER CONSUMPTION : SPECIAL CMOS OSCILLATOR CONFIGURATION
- MONOSTABLE (one - shot) OR ASTABLE (free-running) OPERATION
- TRUE AND COMPLEMENTED BUFFERED OUTPUTS
- ONLY ONE EXTERNAL R AND C REQUIRED
- BUFFERED INPUTS
- QUIESCENT CURRENT SPECIFIED UP TO 20V
- STANDARDIZED, SYMMETRICAL OUTPUT CHARACTERISTICS
- 5V, 10V AND 15V PARAMETRIC RATINGS
- INPUT LEAKAGE CURRENT  
 $I_1 = 100\text{nA (MAX) AT } V_{DD} = 18\text{V } T_A = 25^\circ\text{C}$
- 100% TESTED FOR QUIESCENT CURRENT
- MEETS ALL REQUIREMENTS OF JEDEC JESD13B " STANDARD SPECIFICATIONS FOR DESCRIPTION OF B SERIES CMOS DEVICES"

### DESCRIPTION

The HCF4047B is a monolithic integrated circuit fabricated in Metal Oxide Semiconductor technology available in DIP and SOP packages. The HCF4047B consist of a gatable astable multivibrator with logic techniques incorporated to



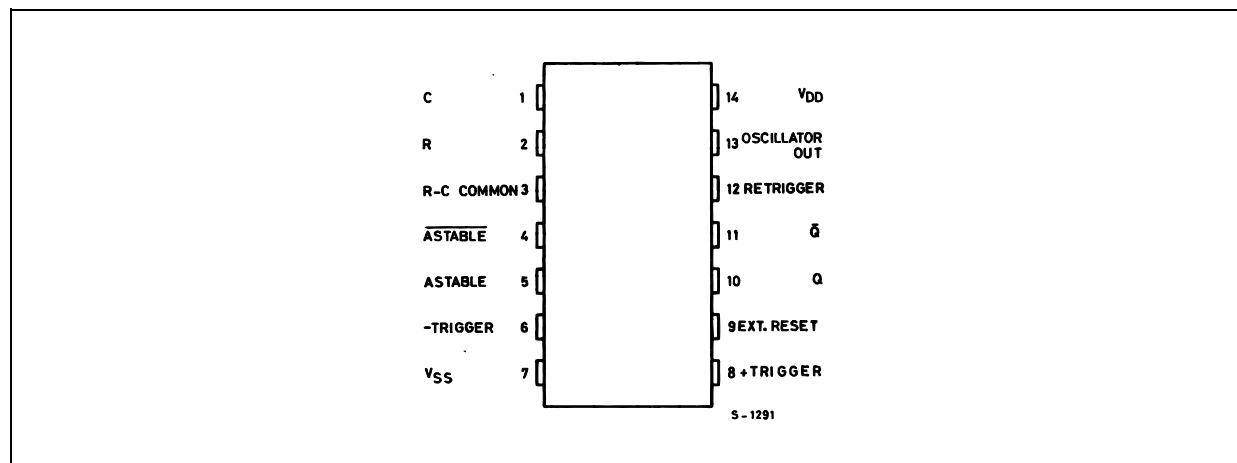
### ORDER CODES

PACKAGE	TUBE	T & R
DIP	HCF4047BEY	
SOP	HCF4047BM1	HCF4047M013TR

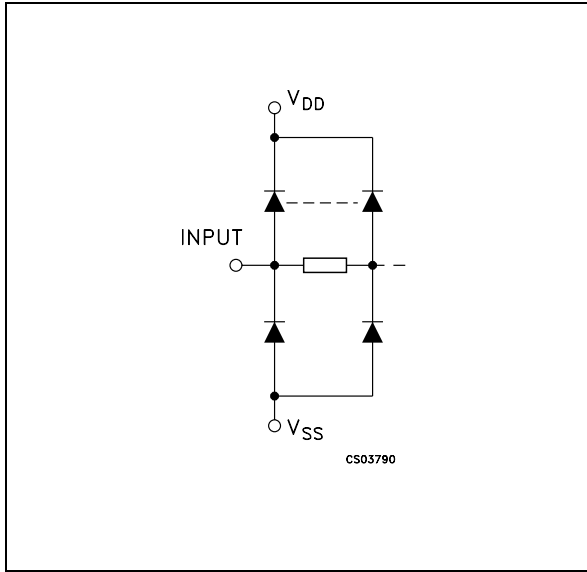
permit positive or negative edge-triggered monostable multivibrator action with retriggering and external counting options. Inputs include +TRIGGER -TRIGGER, ASTABLE,  $\overline{\text{ASTABLE}}$ , RETRIGGER, and EXTERNAL RESET. Buffered outputs are Q,  $\overline{\text{Q}}$  and OSCILLATOR. In all modes of operation, an external capacitor must be connected between C-Timing and RC-Common terminals, and an external resistor must be connected between the R-Timing and RC-Common terminals.

For operating modes see functional terminal connections and application notes.

### PIN CONNECTION



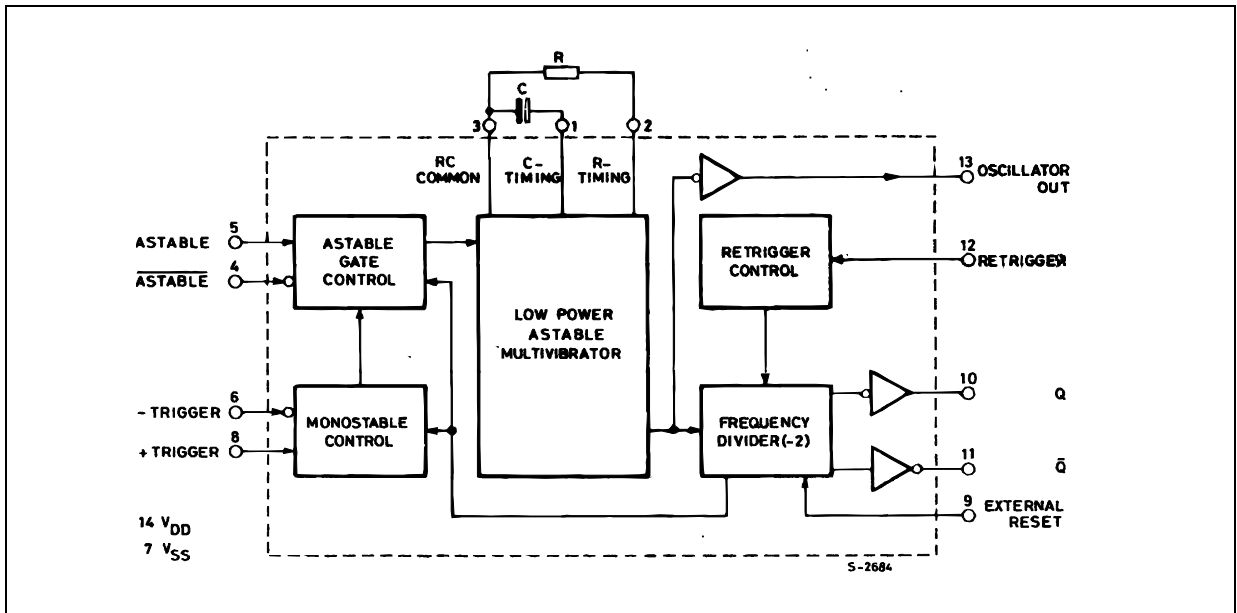
INPUT EQUIVALENT CIRCUIT



PIN DESCRIPTION

PIN No	SYMBOL	NAME AND FUNCTION
1	C	External Capacitor
2	R	External Resistor
3	RC COMMON	External Connection to (1) and (2)
4	$\overline{\text{ASTABLE}}$	Complement Astable Pulse
5	ASTABLE	True Astable Pulse
6	-TRIGGER	Negative Trigger Pulse
8	+TRIGGER	Positive Trigger Pulse
9	EXT. RESET	External Reset
12	RETRIGGER	Retrigger Mode Pulse
13	OSC. OUT	Oscillator Output
10,11	Q, $\overline{Q}$	Q Outputs
7	$V_{SS}$	Negative Supply Voltage
14	$V_{DD}$	Positive Supply Voltage

BLOCK DIAGRAM



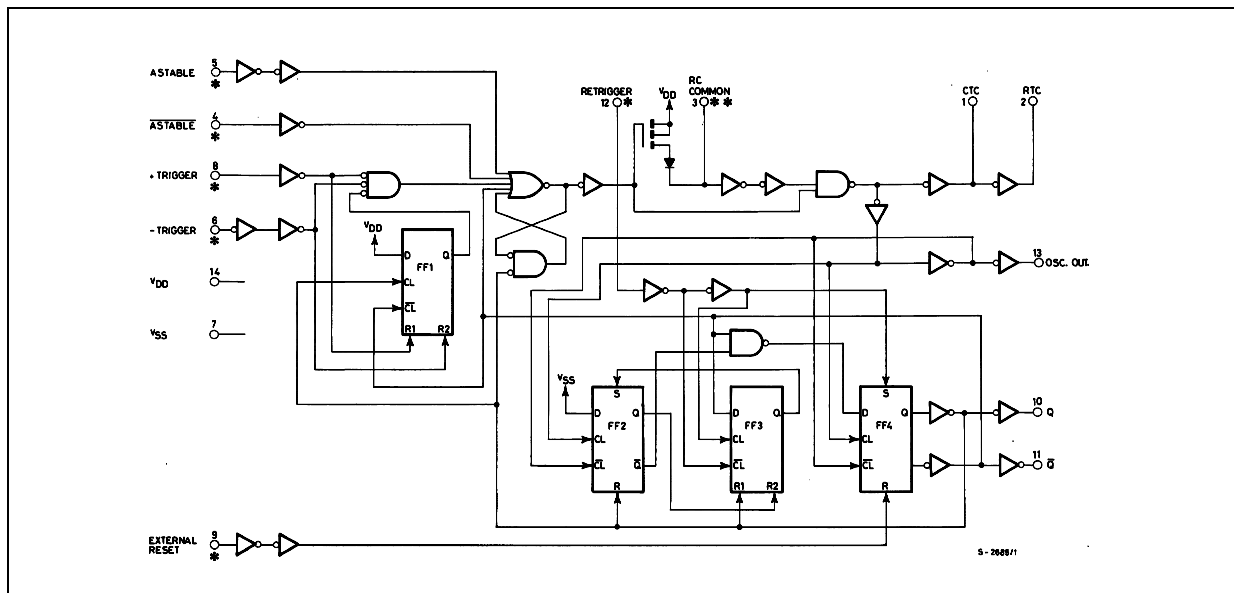
FUNCTIONAL TERMINAL CONNECTIONS

FUNCTION*	TERMINAL CONNECTIONS			OUTPUT PULSE FROM	OUTPUT PERIOD OR PULSE WIDTH
	to V <sub>DD</sub>	to V <sub>SS</sub>	Input Pulse to		
Astable Multivibrator					
Free Running	4, 5, 6, 14	7, 8, 9, 12	-	10, 11, 13	t <sub>A</sub> (10,11) = 4.40RC
True Gating	4, 6, 14	7, 8, 9, 12	5	10, 11, 13	
Complement Gating	6, 14	5, 7, 8, 9, 12	4	10, 11, 13	t <sub>A</sub> (13) = 2.20RC
Monostable Multivibrator					
Positive - Edge Trigger	4, 14	5, 6, 7, 9, 12	8	10, 11	
Negative - Edge Trigger	4, 8, 14	5, 7, 9, 12	6	10, 11	
Retriggerable	4, 14	5, 6, 7, 9	8, 12	10, 11	t <sub>M</sub> (10,11) = 2.48RC
External Countdown**	14	5, 6, 7, 8, 9, 12	-	10, 11	

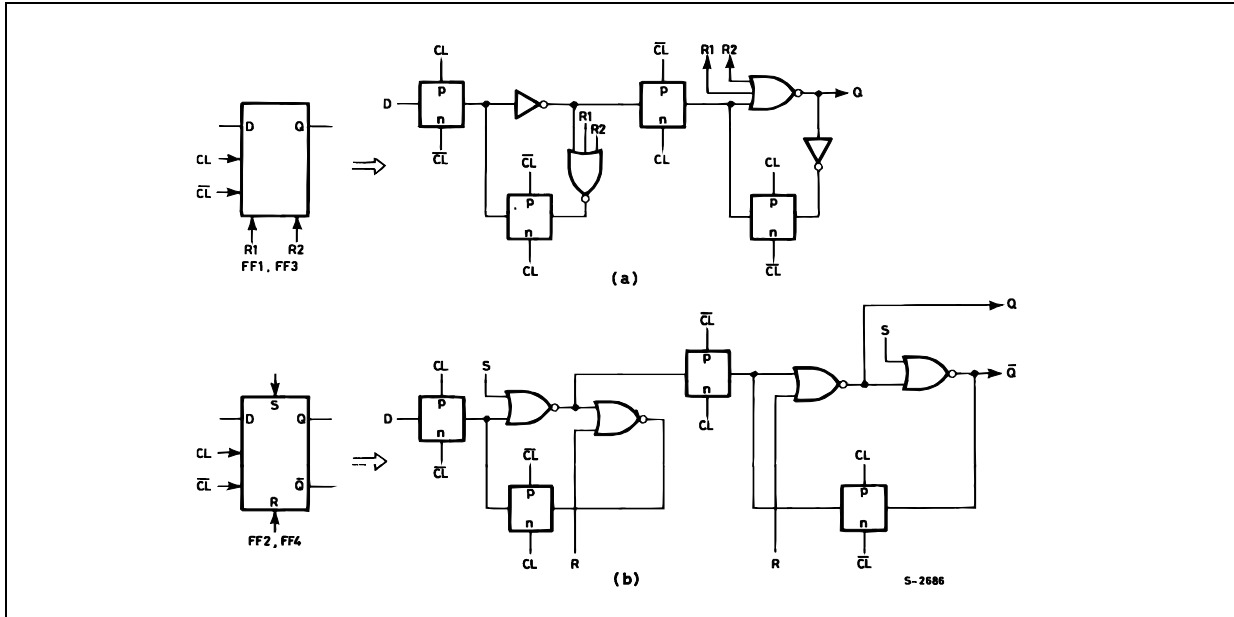
\* In all cases external capacitor and resistor between pins, 1, 2 and 3 (see logic diagrams).

\*\* Input pulse to Reset of External Counting Chip.  
External Counting Chip Output to pin 4.

LOGIC DIAGRAM



DETAIL FOR FLIP-FLOPS FF1 AND FF3 (a) AND FOR FLIP-FLOPS FF2 AND FF4 (b)



ABSOLUTE MAXIMUM RATINGS

Symbol	Parameter	Value	Unit
$V_{DD}$	Supply Voltage	-0.5 to +22	V
$V_I$	DC Input Voltage	-0.5 to $V_{DD} + 0.5$	V
$I_I$	DC Input Current	$\pm 10$	mA
$P_D$	Power Dissipation per Package	200	mW
	Power Dissipation per Output Transistor	100	mW
$T_{op}$	Operating Temperature	-55 to +125	$^{\circ}C$
$T_{stg}$	Storage Temperature	-65 to +150	$^{\circ}C$

Absolute Maximum Ratings are those values beyond which damage to the device may occur. Functional operation under these conditions is not implied.

All voltage values are referred to  $V_{SS}$  pin voltage.

RECOMMENDED OPERATING CONDITIONS

Symbol	Parameter	Value	Unit
$V_{DD}$	Supply Voltage	3 to 20	V
$V_I$	Input Voltage	0 to $V_{DD}$	V
$T_{op}$	Operating Temperature	-55 to 125	$^{\circ}C$

## DC SPECIFICATIONS

Symbol	Parameter	Test Condition				Value						Unit	
		V <sub>I</sub> (V)	V <sub>O</sub> (V)	I <sub>OL</sub>   ( $\mu$ A)	V <sub>DD</sub> (V)	T <sub>A</sub> = 25°C			-40 to 85°C		-55 to 125°C		
						Min.	Typ.	Max.	Min.	Max.	Min.		Max.
I <sub>L</sub>	Quiescent Current	0/5			5		0.01	1		30		30	$\mu$ A
		0/10			10		0.01	2		60		60	
		0/15			15		0.01	4		120		120	
		0/20			20		0.02	20		600		600	
V <sub>OH</sub>	High Level Output Voltage	0/5		<1	5	4.95			4.95		4.95		V
		0/10		<1	10	9.95			9.95		9.95		
		0/15		<1	15	14.95			14.95		14.95		
V <sub>OL</sub>	Low Level Output Voltage	5/0		<1	5		0.05			0.05		0.05	V
		10/0		<1	10		0.05			0.05		0.05	
		15/0		<1	15		0.05			0.05		0.05	
V <sub>IH</sub>	High Level Input Voltage		0.5/4.5	<1	5	3.5			3.5		3.5		V
			1/9	<1	10	7			7		7		
			1.5/13.5	<1	15	11			11		11		
V <sub>IL</sub>	Low Level Input Voltage		4.5/0.5	<1	5			1.5		1.5		1.5	V
			9/1	<1	10			3		3		3	
			13.5/1.5	<1	15			4		4		4	
I <sub>OH</sub>	Output Drive Current	0/5	2.5	<1	5	-1.36	-3.2		-1.15		-1.1		mA
		0/5	4.6	<1	5	-0.44	-1		-0.36		-0.36		
		0/10	9.5	<1	10	-1.1	-2.6		-0.9		-0.9		
		0/15	13.5	<1	15	-3.0	-6.8		-2.4		-2.4		
I <sub>OL</sub>	Output Sink Current	0/5	0.4	<1	5	0.44	1		0.36		0.36		mA
		0/10	0.5	<1	10	1.1	2.6		0.9		0.9		
		0/15	1.5	<1	15	3.0	6.8		2.4		2.4		
I <sub>I</sub>	Input Leakage Current	0/18	Any Input		18		$\pm 10^{-5}$	$\pm 0.1$		$\pm 1$		$\pm 1$	$\mu$ A
C <sub>I</sub>	Input Capacitance		Any Input				5	7.5					pF

The Noise Margin for both "1" and "0" level is: 1V min. with V<sub>DD</sub>=5V, 2V min. with V<sub>DD</sub>=10V, 2.5V min. with V<sub>DD</sub>=15V

## HCF4047B

### DYNAMIC ELECTRICAL CHARACTERISTICS ( $T_{amb} = 25^{\circ}\text{C}$ , $C_L = 50\text{pF}$ , $R_L = 200\text{K}\Omega$ , $t_r = t_f = 20\text{ ns}$ )

Symbol	Parameter		Test Condition		Value (*)			Unit
			$V_{DD}$ (V)		Min.	Typ.	Max.	
$t_{PLH}$ $t_{PHL}$	Propagation Delay Time	Astable, Astable to Osc. Out	5			200	400	ns
			10			100	200	
			15			80	160	
		Astable, Astable to Q, $\bar{Q}$	5			350	700	
			10			175	350	
			15			125	250	
		+ or - Trigger to Q, $\bar{Q}$	5			500	1000	
			10			225	450	
			15			150	300	
		Retrigger to Q, $\bar{Q}$	5			300	600	
			10			150	300	
			15			100	200	
External Reset to Q, $\bar{Q}$	5			250	500			
	10			100	200			
	15			70	140			
$t_{THL}$ $t_{TLH}$	Transition Time Osc. Out Q, $\bar{Q}$	5			100	200	ns	
		10			50	100		
		15			40	80		
$t_w$	Input Pulse Width	+ Trigger - Trigger	5			200	400	ns
			10			80	160	
			15			50	100	
		Reset	5			100	200	
			10			50	100	
			15			30	60	
		Retrigger	5			300	600	
			10			115	230	
			15			75	150	
$t_r$ , $t_f$	Input Rise and Fall Time All Inputs	5			Unlimited		$\mu\text{s}$	
		10			Unlimited			
		15			Unlimited			
	Q or $\bar{Q}$ Deviation from 50% Duty Factor	5			$\pm 0.5$	$\pm 1$	%	
		10			$\pm 0.5$	$\pm 1$		
		15			$\pm 0.1$	$\pm 0.5$		

(\*) Typical temperature coefficient for all  $V_{DD}$  value is 0.3 %/°C.

## APPLICATION INFORMATION

### 1 - CIRCUIT DESCRIPTION

Astable operation is enabled by a high level on the  $\overline{\text{ASTABLE}}_{\text{input}}$ . The period of the square wave at the Q and  $\bar{Q}$  Outputs in this mode of operation is a function of the external components employed. "True" input pulses on the  $\overline{\text{ASTABLE}}$  input or "Complement" pulses on the  $\overline{\text{ASTABLE}}$  input allow the circuit to be used as a gatable multivibrator. The OSCILLATOR output period will be half of the Q terminal output in the astable mode. However, a 50% duty cycle is not guaranteed at this output. In the monostable

mode, positive-edge triggering is accomplished by application of a leading-edge pulse to the +TRIGGER input and a low level to the -TRIGGER input. For negative-edge triggering, a trailing-edge pulse is applied to the -TRIGGER and a high level is applied to the +TRIGGER. Input pulses may be of any duration relative to the output pulse. The multivibrator can be retriggered (on the leading edge only) by applying a common pulse to both the RETRIGGER and +TRIGGER inputs. In this mode the output pulse remains high as long as the input pulse period is shorter than the period determined by the RC components. An external countdown option can be implemented by

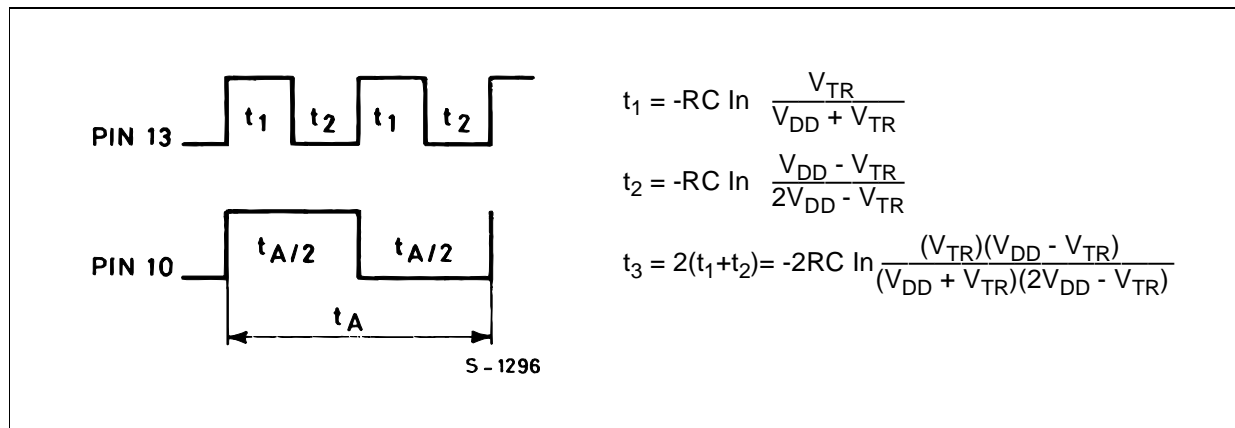
coupling "Q" to an external "N" counter and resetting the counter with the trigger pulse. The counter output pulse is fed back to the ASTABLE input and has a duration equal to N times the period of the multivibrator. A high level on the EXTERNAL RESET input assures no output pulse during an "ON" power condition. This input can also be activated to terminate the output pulse at any time. In the monostable mode, a high-level or

power-on reset pulse, must be applied to the EXTERNAL RESET whenever  $V_{DD}$  is applied.

## 2 - ASTABLE MODE

The following analysis presents worst-case variations from unit-to-unit as a function of transfer-voltage ( $V_{TR}$ ) shift (33% - 67%  $V_{DD}$ ) for free-running (astable) operation.

### ASTABLE MODE WAVEFORMS

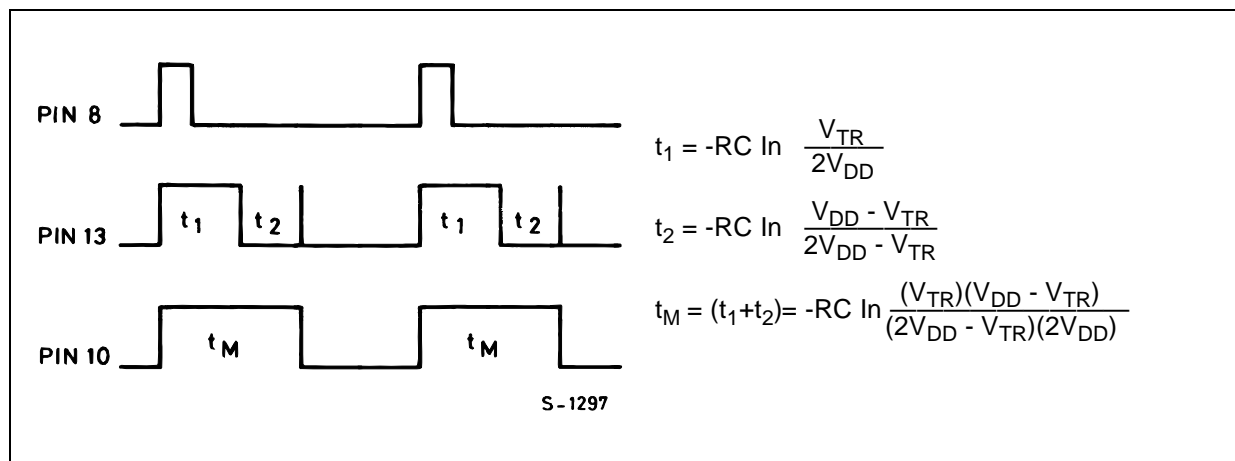


Typ :  $V_{TR} = 0.5 V_{DD}$   $t_A = 4.40 RC$   
 Min :  $V_{TR} = 0.33 V_{DD}$   $t_A = 4.62 RC$   
 Max :  $V_{TR} = 0.67 V_{DD}$   $t_A = 4.62 RC$   
 thus if  $t_A = 4.40 RC$  is used, the maximum variation will be (+ 5.0%, -0.0%)  
 In addition to variations from unit-to-unit, the astable period may vary as a function of frequency with respect to  $V_{DD}$  and temperature.

## 3 - MONOSTABLE MODE

The following analysis presents worst-case variations from unit-to-unit as a function of transfer-voltage ( $V_{TR}$ ) shift (33% - 67%  $V_{DD}$ ) for one-shot (monostable) operation.

### MONOSTABLE WAVEFORMS



## HCF4047B

Where  $t_M$  = monostable mode pulse width. Values for  $t_M$  are as follows :

Typ :  $V_{TR} = 0.5 V_{DD}$   $t_M = 2.48 RC$

Min :  $V_{TR} = 0.33 V_{DD}$   $t_M = 2.71 RC$

Max :  $V_{TR} = 0.67 V_{DD}$   $t_M = 2.48 RC$

Thus if  $t_M = 2.48 RC$  is used, the maximum variation will be (+ 9.3%, - 0.0%).

Note : In the astable mode, the first positive half cycle has a duration of  $T_M$  ; succeeding durations are  $t_A/2$ .

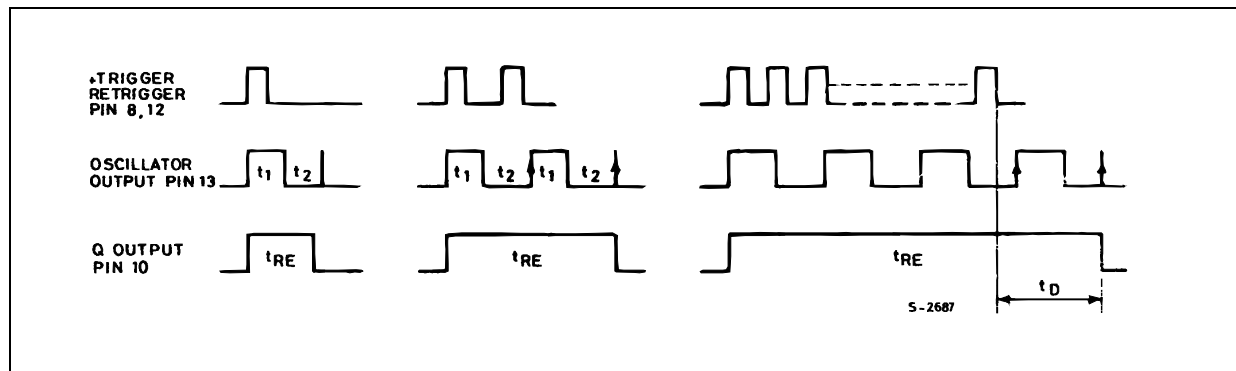
In addition to variations from unit to unit, the monostable pulse width may vary as a function of frequency with respect to  $V_{DD}$  and temperature.

### 4 - RETRIGGER MODE

The HCF4047B can be used in the retrigger mode

to extend the output-pulse duration, or to compare the frequency of an input signal with that of the internal oscillator. In the retrigger mode the input pulse is applied to terminals 8 and 12, and the output is taken from terminal 10 or 11. As shown in fig.A a normal monostable action is obtained when one retrigger pulse is applied. Extended pulse duration is obtained when more than one pulse is applied. For two input pulses,  $t_{RE} = t_1' + t_1 + 2t_2$ . For more than two pulses,  $t_{RE}$  (Q OUTPUT) terminates at some variable time  $t_D$  after the termination of the last retrigger pulse.  $t_D$  is variable because  $t_{RE}$  (Q OUTPUT) terminates after the second positive edge of the oscillator output appears at flip-flop 4 (see logic diagram).

FIGURE A : Retrigger-mode waveforms

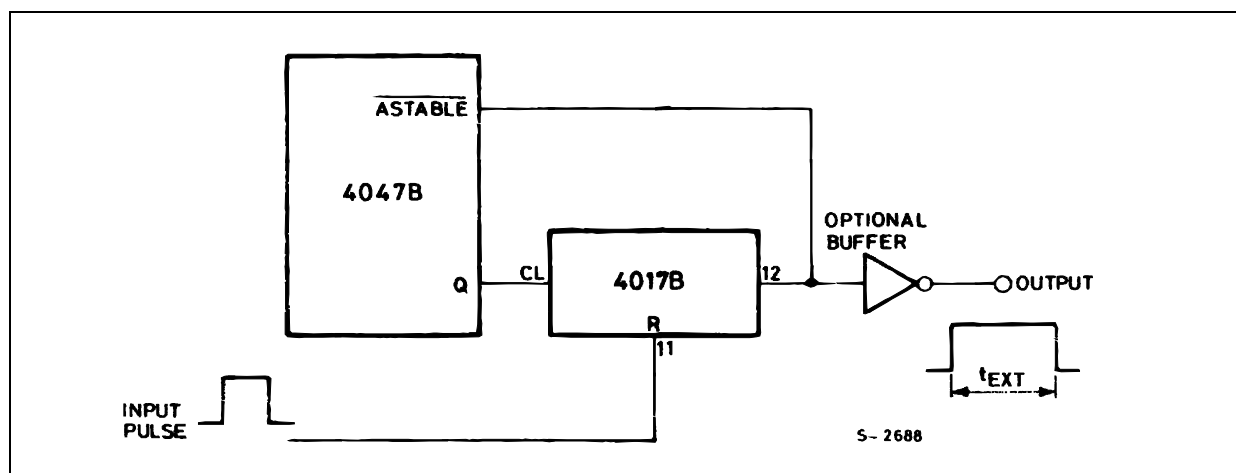


### 5 - EXTERNAL COUNTER OPTION

Time  $t_M$  can be extended by any amount with the use of external counting circuitry. Advantages include digitally controlled pulse duration, small timing capacitors for long time periods, and extremely fast recovery time.

A typical implementation is shown in fig. B. The pulse duration at the output is  $t_{EXT} = (N - 1) (t_A) + (t_M + t_A/2)$  Where  $t_{EXT}$  = pulse duration of the circuitry, and  $N$  is the number of counts used.

FIGURE B : Implementation of external counter option





## 6 - POWER CONSUMPTION

In the standby mode (Monostable or Astable), power dissipation will be a function of leakage current in the circuit, as shown in the static electrical characteristics. For dynamic operation, the power needed to charge the external timing capacitor C is given by the following formula :

Astable Mode :

$$P = 2CV^2f. \text{ (Output at Pin 13)}$$

$$P = 4CV^2f. \text{ (Output at Pin 10 and 11)}$$

$$\text{Monostable Mode : } P = \frac{(2.9CV^2) (\text{Duty Cycle})}{T}$$

(Output at Pin 10 and 11)

The circuit is designed so that most of the total power is consumed in the external components. In practice, the lower the values of frequency and voltage used, the closer the actual power dissipation will be to the calculated value.

Because the power dissipation does not depend on R, a design for minimum power dissipation would be a small value of C. The value of R would depend on the desired period (within the limitations discussed above).

## 7 - TIMING-COMPONENT LIMITATIONS

The capacitor used in the circuit should be non-polarized and have low leakage (i.e. the parallel resistance of the capacitor should be an order of magnitude greater than the external resistor used). There is no upper or lower limit for either R or C value to maintain oscillation.

However, in consideration of accuracy, C must be much larger than the inherent stray capacitance in the system (unless this capacitance can be measured and taken into account). R must be much larger than the COS/MOS "ON" resistance in series with it, which typically is hundreds of ohms. In addition, with very large values of R, some short-term instability with respect to time may be noted.

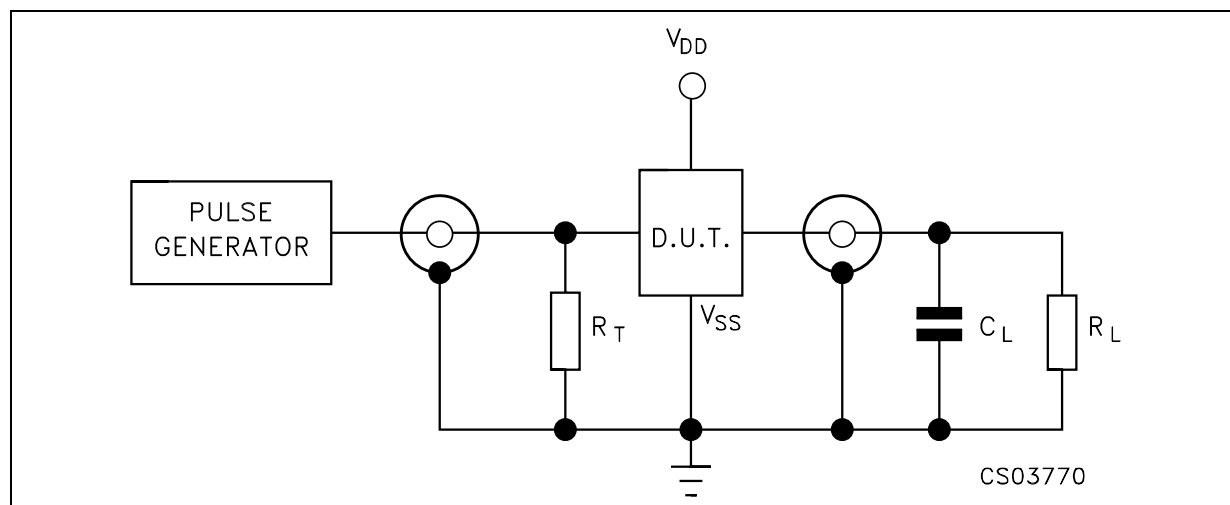
The recommended values for these components to maintain agreement with previously calculated formulas without trimming should be :

$C \geq 100\text{pF}$ , up to any practical value, for astable modes ;

$C \geq 1000\text{pF}$ , up to any practical value, for monostable modes.

$$10\text{K}\Omega \leq R \leq 1\text{M}\Omega.$$

## TEST CIRCUIT



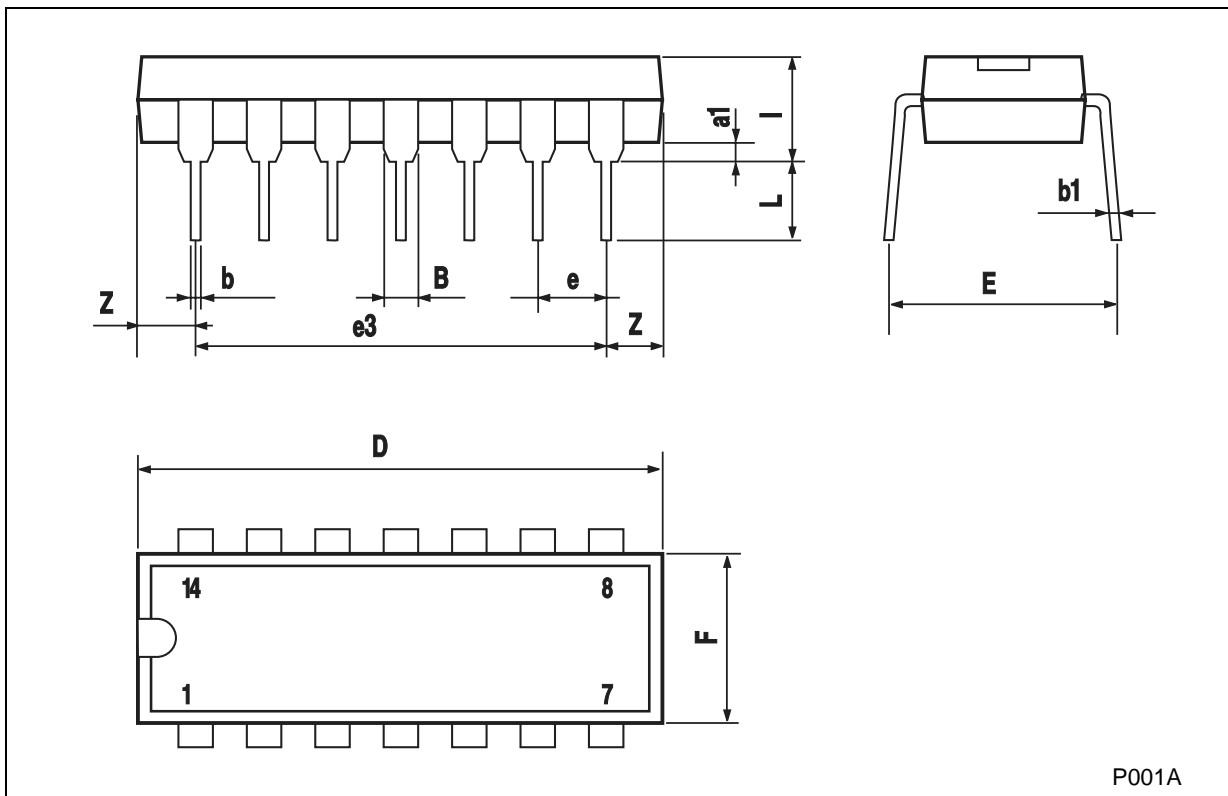
$C_L = 50\text{pF}$  or equivalent (includes jig and probe capacitance)

$R_L = 200\text{K}\Omega$

$R_T = Z_{OUT}$  of pulse generator (typically  $50\Omega$ )

**Plastic DIP-14 MECHANICAL DATA**

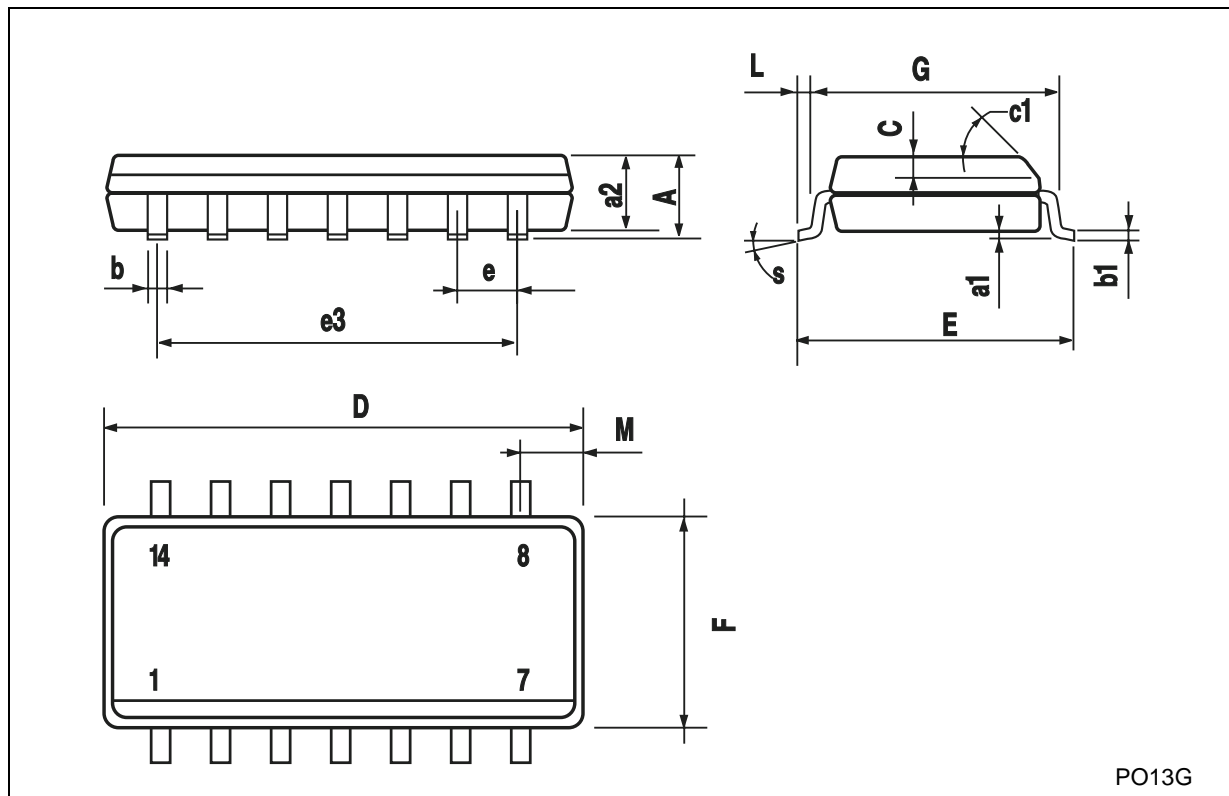
DIM.	mm.			inch		
	MIN.	TYP	MAX.	MIN.	TYP.	MAX.
a1	0.51			0.020		
B	1.39		1.65	0.055		0.065
b		0.5			0.020	
b1		0.25			0.010	
D			20			0.787
E		8.5			0.335	
e		2.54			0.100	
e3		15.24			0.600	
F			7.1			0.280
I			5.1			0.201
L		3.3			0.130	
Z	1.27		2.54	0.050		0.100



P001A

## SO-14 MECHANICAL DATA

DIM.	mm.			inch		
	MIN.	TYP.	MAX.	MIN.	TYP.	MAX.
A			1.75			0.068
a1	0.1		0.2	0.003		0.007
a2			1.65			0.064
b	0.35		0.46	0.013		0.018
b1	0.19		0.25	0.007		0.010
C		0.5			0.019	
c1	45° (typ.)					
D	8.55		8.75	0.336		0.344
E	5.8		6.2	0.228		0.244
e		1.27			0.050	
e3		7.62			0.300	
F	3.8		4.0	0.149		0.157
G	4.6		5.3	0.181		0.208
L	0.5		1.27	0.019		0.050
M			0.68			0.026
S	8° (max.)					



Information furnished is believed to be accurate and reliable. However, STMicroelectronics assumes no responsibility for the consequences of use of such information nor for any infringement of patents or other rights of third parties which may result from its use. No license is granted by implication or otherwise under any patent or patent rights of STMicroelectronics. Specifications mentioned in this publication are subject to change without notice. This publication supersedes and replaces all information previously supplied. STMicroelectronics products are not authorized for use as critical components in life support devices or systems without express written approval of STMicroelectronics.

© The ST logo is a registered trademark of STMicroelectronics

© 2001 STMicroelectronics - Printed in Italy - All Rights Reserved  
STMicroelectronics GROUP OF COMPANIES

Australia - Brazil - China - Finland - France - Germany - Hong Kong - India - Italy - Japan - Malaysia - Malta - Morocco  
Singapore - Spain - Sweden - Switzerland - United Kingdom

© <http://www.st.com>